



ETHAN ALLEN[®]

*The
one place*

FOR THE SPACE OF
YOUR DREAMS



DIGITAL MAGAZINE SERIES
EDITION 21





"For more than 90 years you've known us as purveyors of quality furniture—but there's more to Ethan Allen than you'd think. In fact, *we are a complete, one-stop, whole-home solution* comprised of a vast array of offerings for every aspect of living, including lighting and outdoor options, and of course, design and delivery services. Whether your style is Classic, Country & Coastal, or Modern, our commitment to quality and craftsmanship ensures a dream space designed to your complete satisfaction."

FAROOQ KATHWARI
CHAIRMAN & CEO



SAVE 20%*
ON EVERYTHING

WITH FINANCING FOR UP TO
48 MONTHS[†]

SEE BACK FOR DETAILS.



craftsmanship

In the hands of our skilled artisans, our carefully prepared and selected lumber is transformed into elegant, heirloom-quality pieces that are crafted to be loved for a lifetime. In each piece, you'll find our time and talents in the details, like the durable mortise-and-tenon and dovetail joinery that we've used for more than 90 years. **As the keepers of woodworking techniques that have spanned generations, we're committed to getting every detail right.**



DREAMING OF

classic

You love a bit of formality for its glamour and how you can tweak that level of luxury up or down a notch depending upon your mood at that moment. Classic speaks your language—and with the help of our designers it will tell volumes about your stylish personality.



NATURAL MOTHER-OF-PEARL IS HAND-DYED IN SHADES OF BLUE AND HAND-PLACED OVER A WOODEN QUATREFOIL FORM, LENDING AN IRIDESCENT SHIMMER TO THIS CLASSIC SHAPE. OUR LOREN MOTHER-OF-PEARL STOOL IS TRULY A ONE-OF-A-KIND ARTISAN PIECE.





DREAMING OF

country & coastal

Bringing the sentiment of the outdoors in, through elements like woven natural fibers and rough-hewn surfaces, creates the serenity you seek. Spa-like colors, easy silhouettes, and the help of our designers are the keys to creating the perfect place for your headspace.



WITH OUR **CRAFT & CUSTOM** PROGRAM YOU CAN CHOOSE DETAILS—LIKE TABLE LEGS AND BUFFET DOORS—AND CREATE SOMETHING THAT'S TRULY DREAMY. HERE WE CHOSE SIMPLE PARSONS-STYLE LINES AND A CRISP, WHITE-WASHED FINISH FOR AN UPDATED-FARMHOUSE LOOK.



PAISLEY PATTERNS, LIKE THE ONE SHOWN HERE, ARE BEAUTIFUL EXAMPLES OF HOW FLORALS INFLUENCE DÉCOR. CENTURIES OLD, THESE SCROLLING INTERPRETATIONS HINT AT LOTUS BLOSSOMS AND DATE PALM SHOOTS, AS WELL AS OTHER ELEMENTS.



DREAMING OF

modern

Structure and form are your sirens, but you are equally attracted to the coziness of plush materials and the way they can soften and reinterpret a shape. With our designers—and their forward-thinking style—by your side, you can have your Modern and your flop-down-at-the-end-of-the-day comforts, too.

A MIX OF DISTINCTLY DIFFERENT SHAPES CAN LIVE HARMONIOUSLY. TO ACHIEVE THIS LOOK, FIND A COMMON THREAD—HERE THE WIRE FOUND IN THE PENDANTS COMPLEMENTS THE METAL BASES OF THE DINING CHAIRS.



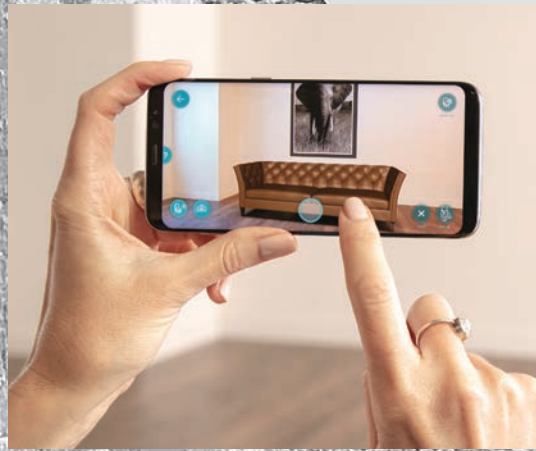
design service + technology

Our **talented designers** have our whole world of lighting, outdoor, and furniture options at their fingertips—and they're ready to bring it all to you. Prefer to work from the comfort of your home? They can collaborate via Live Chat, email, videoconference, and more. Or take a stroll over to your local Design Center, where they'll greet you with a smile and a treasure trove of inspiration for creating your new dream space.

But no matter where or how you choose to work, using our **3D Room Planner**, our designers can show you exactly how your vision for your space will come to life—always all at no cost to you.

Our 2021 Style Book is in Design Centers now!

Stop by and get your complimentary copy, filled with 240 pages of dreamy inspiration for all your indoor and outdoor living needs.





lighting

FOR ALL FACETS OF STYLE & SPACE

Ceramics from Europe, fine metals and stone from southern Asia—these are just some of the materials that make our lighting solutions shine like brilliant jewels. Whether you like the sparkle of a classic crystal chandelier, the easy country style of a turned-post-inspired floor lamp, or the minimalistic lines of a concrete table lamp, you'll find exactly what turns on the style in your space.



AS SEEN ON THE BOTTOM LEFT, A LITTLE SSSSKILL AND ARTISTRY THROUGH LEATHER EMBOSING BRINGS THE LOOK OF REAL SNAKESKIN TO OUR DALIA TABLE LAMP. ALSO AVAILABLE IN WHITE LEATHER WITH A BASKET-WEAVE DESIGN.





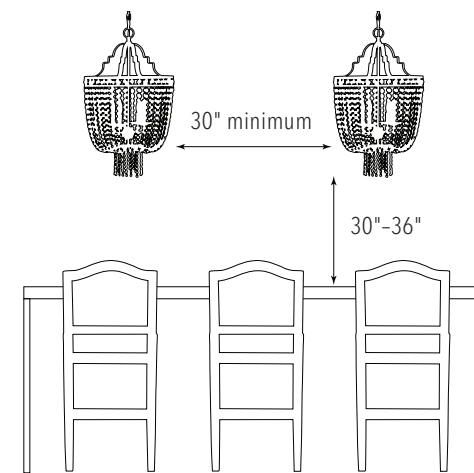
A CLASSIC CHANDELIER FORM GETS A RUSTIC-YET REFINED-REVISIT IN THIS BLEND OF WHITEWASHED WOOD AND WEATHERED METAL. OUR GENEVA CHANDELIER FEATURES A RECYCLED GLASS BALL DETAIL AND BEAMS WITH TRANSITIONAL CHARM.





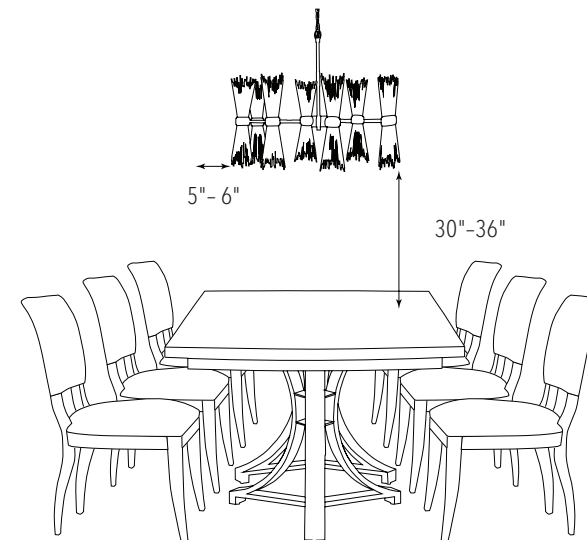
INSPIRED BY THE LOOK OF MERCURY GLASS, OUR ZURIE MERCURY PENDANTS ARE HANDCRAFTED AND DETAILED IN BRONZE TO CAST A STYLISH SPELL WHEREVER THEY ARE HUNG. AVAILABLE IN ROUND, SEEN HERE, OR IN A DIAMOND SHAPE.

lighting tips



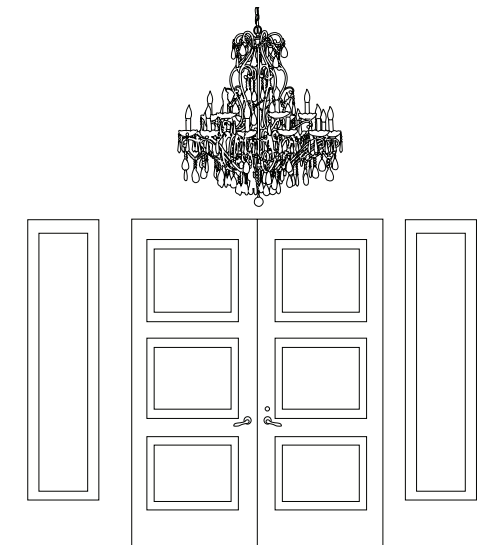
OVER AN ISLAND

For the best visual aesthetic, place fixtures at least 30" apart from one another. Leave about 30" to 36" between the island top and the bottom of the fixture.



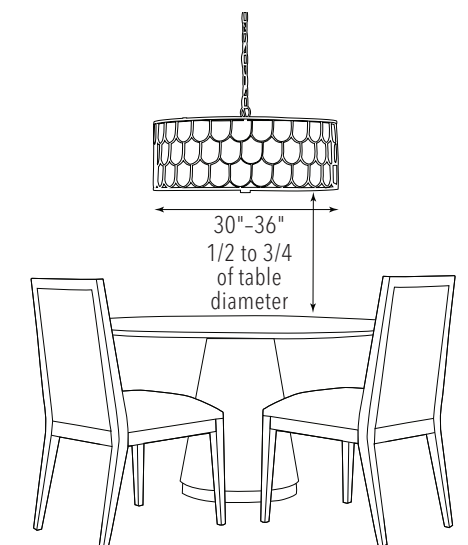
OVER A DINING TABLE

Your fixture should not be wider than the table and should always be about 5" to 6" narrower than the table. Always leave about 30" to 36" between the bottom of the fixture and the tabletop.



HIGH CEILINGS

For ceilings 10' or higher, use a fixture of grand scale. Most of our fixtures come with 6' of chain and 13' of wire.



OVER A ROUND TABLE

Always leave about 30" to 36" between the bottom of the fixture and the tabletop. The fixture should be half to three-quarters of the diameter of the table; never wider.



sustainability

Our furniture begins as sustainable wood sourced from logs that we've milled in the Beecher Falls, Vermont, sawmill where our business began in 1932, or as lumber that has been quality-checked by our inspectors in Old Fort, North Carolina, who are certified by the National Hardwood Lumber Association (NHLA).

As certified Appalachian Hardwood Manufacturers members, we're committed to the environment and to the responsible stewardship of our forests.

outdoor

FOR ALL WEATHER & ANY OCCASION

Sleek lines, graceful curves, laid-back silhouettes—our outdoor elements, reimagined in powder-coated aluminum, tempered glass, Grade A Plantation Teak, and durable fabrics, ensure season after season of enjoyment. Add a fire table for ambience, and pops of colors and patterns for flair—when it comes to outdoor living, the sky's the limit!





FRESH IN FOR SUMMER—OUR NEW OUTDOOR FABRICS

LET YOU LAYER THE LATEST COLORS AND PATTERNS INTO YOUR LANDSCAPE. COME HAIL OR HIGH WATER, THESE DURABLE VARIETIES WILL KEEP THEIR GOOD LOOKS FOR SEASONS TO COME.



delivery

The last faces you'll see on your Ethan Allen journey belong to our **Premier In-Home Delivery specialists**. As easy as a breeze, they'll bring in your furniture, assemble it if needed, place it exactly where you want it to go, and leave your new dream space spotless—always with a smile.



*Offer ends June 30, 2021. Discounts are taken off our regular prices. Prior reductions may have been taken. Excludes clearance items, select new product introductions, wallcoverings, and adjustable bed bases. Offer cannot be applied to prior purchases, pending deliveries, sales tax, shipping and delivery charges, gift cards, furniture replacement parts, or furniture protection plans and cannot be combined with any other savings offers, sales, discounts, coupons, or promotions except applicable financing offers. Ask a designer or visit ethanallen.com for details.

*Restrictions apply. Ask a designer or visit ethanallen.com/platinum for details.

Prices in this magazine reflect 20% savings rounded up to the next whole dollar. Full savings will be given at time of purchase. All information is current as of June 1, 2021, and is subject to change without notice. We are not responsible for typographical errors. Please visit a Design Center or ethanallen.com for sale details and current information. Prices and services are optional for each retailer. All items may not be displayed at every Design Center. Final products may vary from display. Certain names and marks are proprietary and owned by Ethan Allen Global, Inc.

©2021 Ethan Allen Global, Inc. Danbury, CT. All rights reserved.